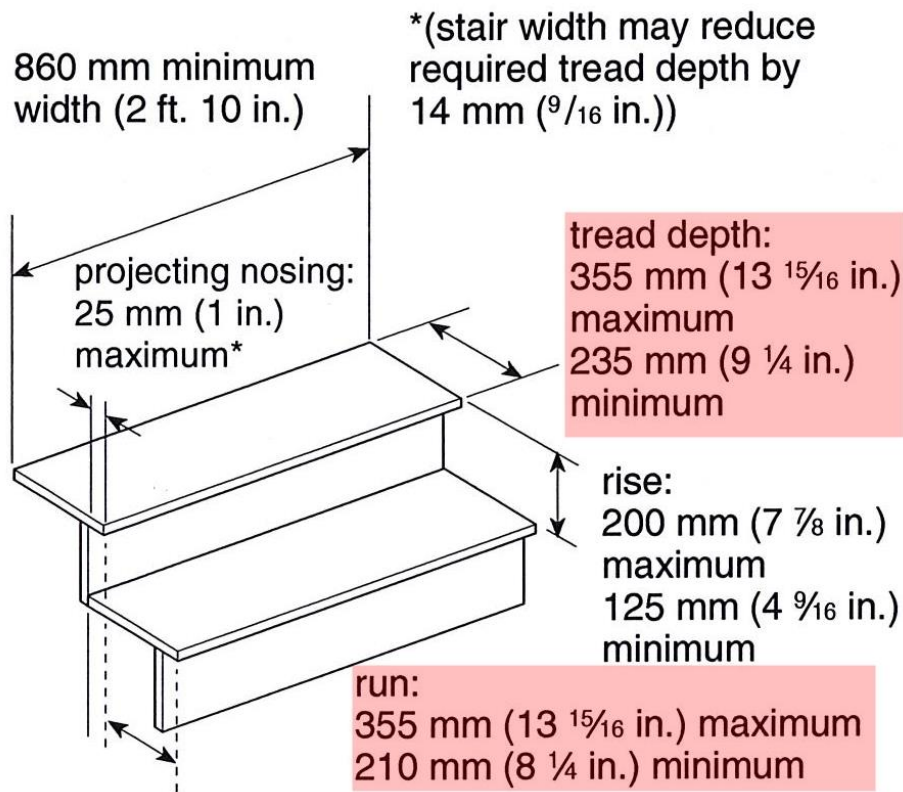
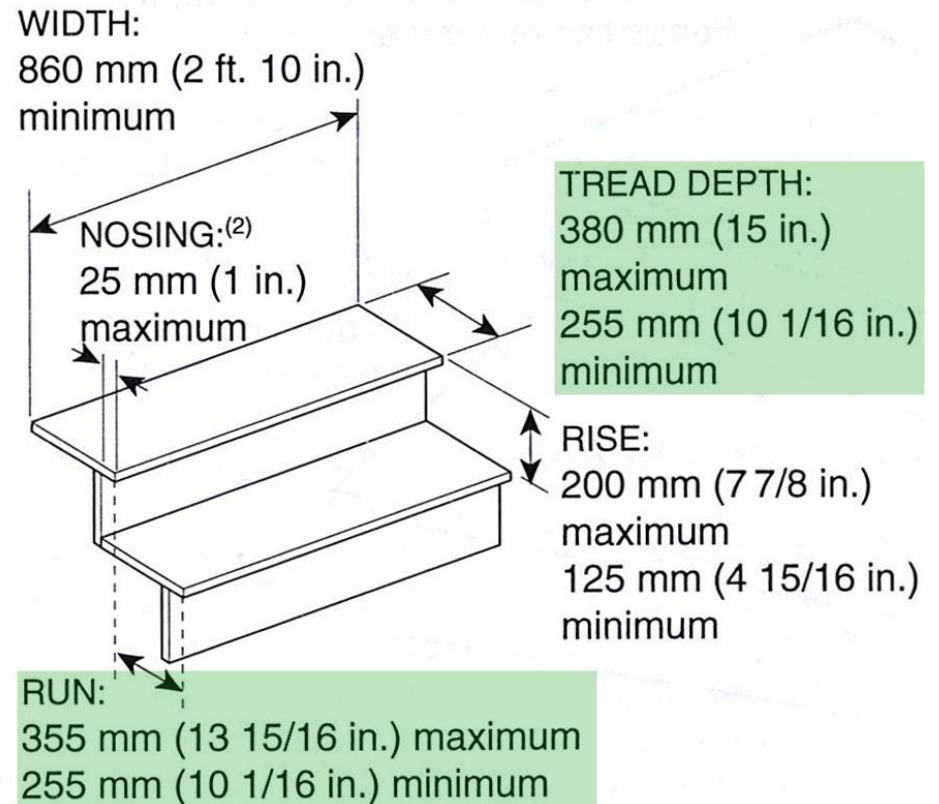


2015 National Building Code changes for Private Residential Stairs (Single Family Dwelling or a House with a Secondary Suite)



NBCC 2010 (9.8.4.2)



NBCC 2015 (9.8.4.2)